



Pan American
Professional Lighting Manufacturer



HAZARDOUS LOCATION LED LUMINAIRE

S SERIES

FLAT/RM 1205, 12/F, TAI SANG BANK BUILDING,
130-132 DES VOEUX ROAD CENTRAL, HK





S1



S2

Product Description

The S Series LED luminaire is designed for installations in hazardous area with presence of flammable gases or combustible dusts as defined by ATEX / IECEx for Zone 1/21 applications. They can be used in locations where moisture, dirt, dust, corrosion and vibration may be present, or areas where wind, water, snow or high ambient can be expected.

Features

- Compact and rugged structure, easy installation
- Various installation ways for different applications
- Great impact resistance with IK08/IK10 certified
- Copper-free aluminum housing, great corrosion resistance and cooling performance
- Tempered glass for high heat resistance
- Diffuser can be flat glass and convex glass optional
- Flame-proof type & flame-proof and increased safe type available

Compliance



II 2 G

Ex db IIC T6...T4 Gb

Ta = -40°C to +40°C or -40°C to +60°C

Ex db IIC T6/T5 Gb

Ta = -40°C to +40°C or -40°C to +55°C



II 2 D

Ex tb IIIC T80°C...T130°C Db

Ex db, eb, tb

EX-S1 Series and EX-S2 Series: Ex db IIC T6/T5 Gb, Ex tb IIIC T80°C/T95°C Db

EX-S1e Series and EX-S2e Series: Ex db eb IIC T6/T5 Gb, Ex tb IIIC T80°C/T95°C Db

IP66

Application & Warranty

- Power Plants
 - Heavy Industrials Storage Facility
 - Paper mills
 - Wastewater Treatment Plants
 - Loading Docks Platforms
 - Offshore Environments
 - Chemical Processing Facility
 - Petrochemical Processing Facility
 - Metallurgical Industry
 - Coal Mine
 - Food and Alcohol industry
- 5-Year Standard Warranty
LED lumen Maintenance: L70> 150,000 Operation Hours@55°C



Technical Parameter

● Electrical

Specification	EX-xxxWS1 YZDEFGHIJK	EX-xxxWS2 YZDEFGHIJK
Rated Power	20/30/40/50/60/70/80/90/100W	20/30/40/50/60/70/80/90/100/110/120/ 130/140/150/160/170/180/190/200W
Input Voltage	100-277VAC	
Input Frequency	50/60Hz	
Power Factor	> 0.95	

● Optical

Specification	EX-xxxWS1 YZDEFGHIJK	EX-xxxWS2 YZDEFGHIJK
Lumen Output	2600lm-13000lm	2600lm-26000lm
Lumens Per Watt	130lm/W	
CCT	2700K-6500K	
CRI	> 70	
Beam Angle	40°/60°/90°/120°/T2/T3/T5	

● Environmental

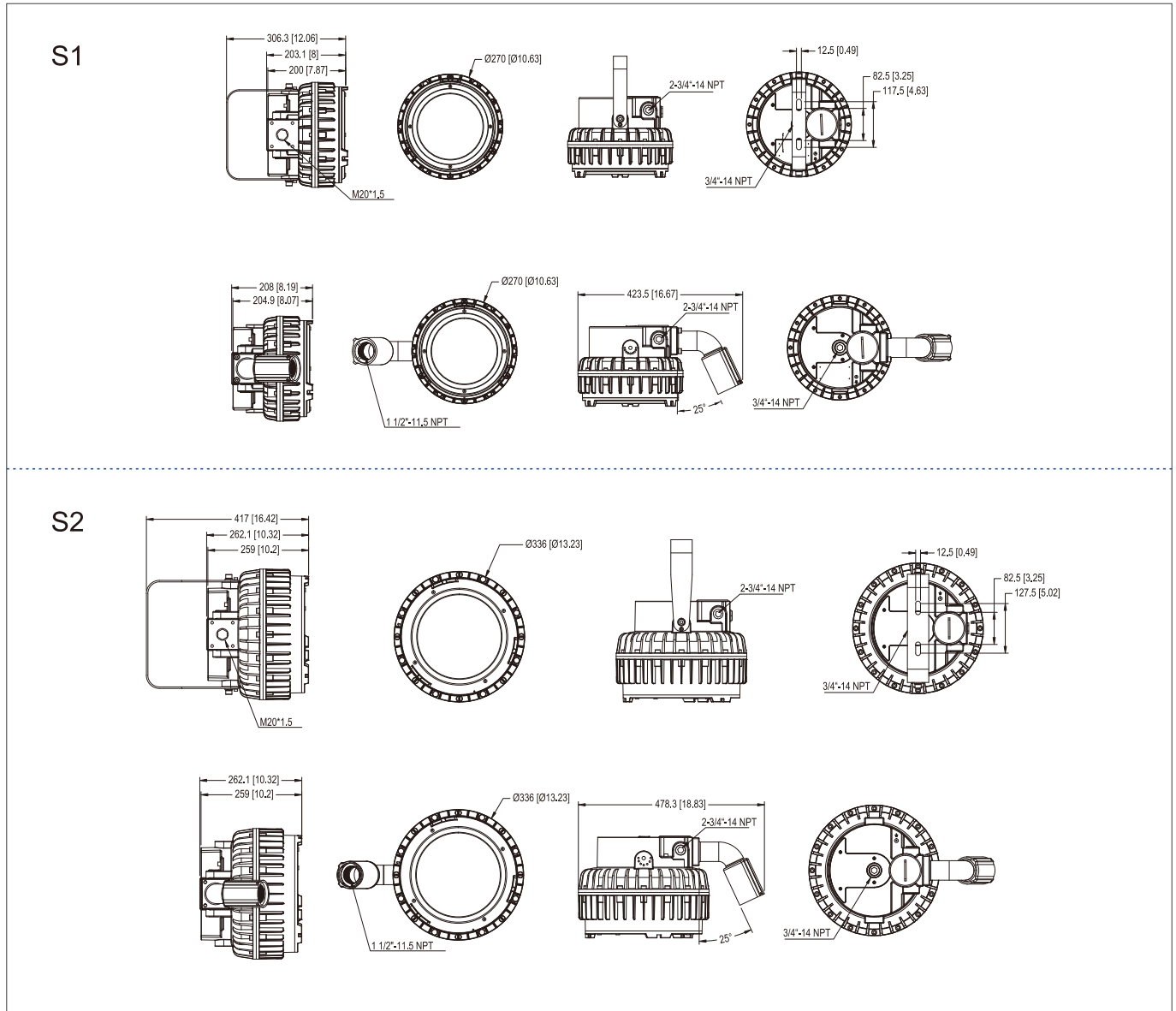
Specification	Ambient temperature	Temperature class	Max. input power
EX-* S1*****E***	-20°C~+50°C	T6	40
EX-* S1e*****E***	-20°C~+40°C	T6	50
EX-* S2*****E***	-20°C~+50°C	T6	70
EX-* S2e*****E***	-20°C~+40°C	T6	120
EX-* S1***** EX-* S1e*****	-40°C~+70°C	T5	40
	-40°C~+65°C	T6	50
	-40°C~+55°C	T6	70
	-40°C~+55°C	T5	80
	-40°C~+50°C	T6	80
	-40°C~+55°C	T5	100
	-40°C~+50°C	T6	100
	-40°C~+40°C	T6	100
EX-* S2***** EX-* S2e*****	-40°C~+65°C	T5	120
	-40°C~+55°C	T6	150
	-40°C~+55°C	T5	180
	-40°C~+40°C	T6	200

● Mechanical

Specification	EX-xxxWS1 YZDEFGHIJK	EX-xxxWS2 YZDEFGHIJK
Housing Material	Aluminum alloy ADC12	
Diffuser	Tempered glass; Flat (standard)/Convex (Optional)	
Protection	IP66/IK08 (glass cover)/IK10 (with wire guard)	
Mounting	Stanchion 25°, Stanchion 90°, Pendant, Bracket	



Product Dimensions Unit: mm[inch]

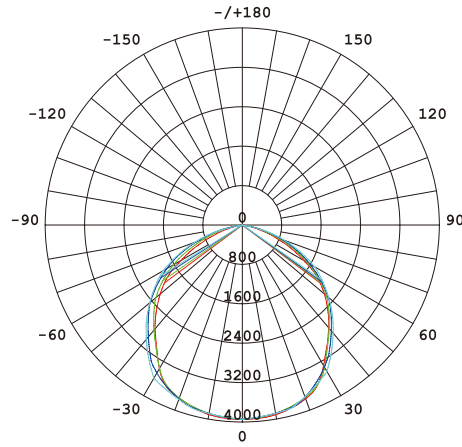


● Packing Information

Product Type	Model	Net Weight*	Gross Weight*	Quantity/Carton	Package Dimensions (LxWxH)
Flame-proof Type	S1	9.15 kg/ 20.2 lb	11.3 kg/ 24.9 lb	1 pc	470x420x320mm/ 16.54x18.50x12.60inch
	S2	17.67 kg/ 38.9 lb	20.2 kg/ 44.5 lb	1 pc	460x540x370mm/ 19.69x18.5x15.75inch
Flame-proof and Increased Safe Type	S1	9.5 kg/ 20.9 lb	11.65 kg/ 25.7 lb	1 pc	470x420x320mm/ 16.54x18.50x12.60inch
	S2	18.02 kg/ 39.7 lb	20.55 kg/ 45.3 lb	1 pc	540x460x370mm/ 19.69x18.5x15.75inch

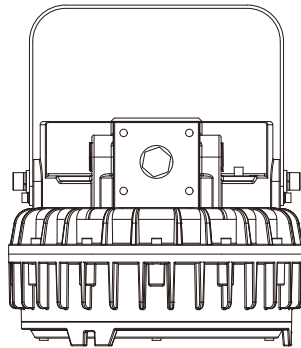


Photometric

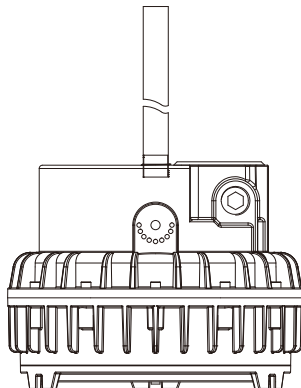


Mounting Methods and Accessories

- Option 1: U-bracket Mounting

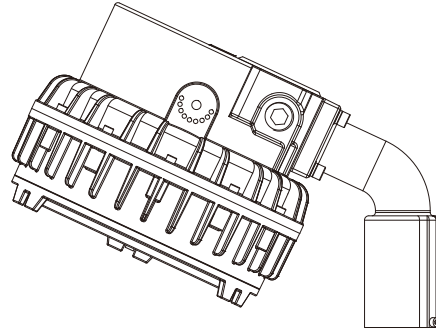


- Option 2: Jib Mounting

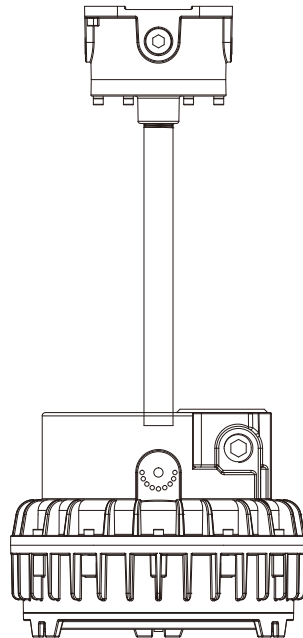




- Option 3: Pole Mounting (25°)



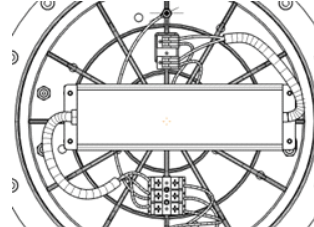
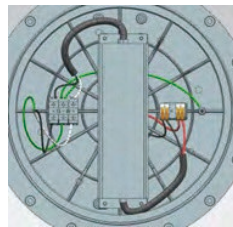
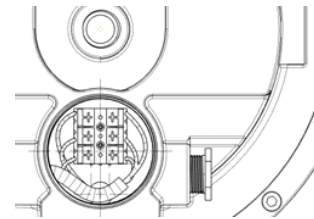
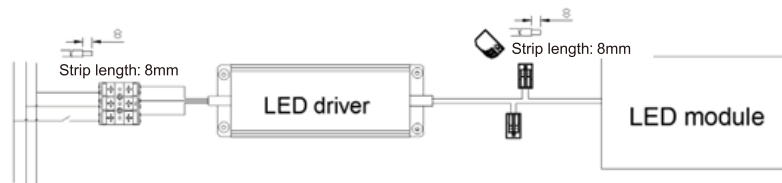
- Option 4: Pole Mounting (90°)



Circuit Connection

● Steps of Circuit Connection:

1. Ensure all the power is turned off.
2. Open the junction box.
3. Install 3/4" trade size conduit to 3/4" NPT adapter on the luminaire.
4. Connect the L, N, G from branch to the slots of terminal block, according to the marking on terminal block
5. Close the power connecting cavity.





Ordering Guide

EX - xxW S1 Y Z D E F G H I J K

- ① ② ③ ④ ⑤ ⑥ ⑦ ⑧ ⑨ ⑩ ⑪ ⑫ ⑬

①	EX	Explosion Proof Light
②	Input Wattage	S1:20/30/40/50/60/70/80/90/100W S2:20/30/40/50/60/70/80/90/100 110/120/130/140/150/160/170/180/190/200W
③	Lamp Enclosure Heatsink	S1 = Lamp Enclosure Heatsink S1e=Lamp Enclosure Heatsink S2 = Lamp Enclosure Heatsink S2e=Lamp Enclosure Heatsink
④	Dimming	"N"= No Dimming Function "D"= Dimmable
⑤	CCT	27=2700K; 30=3000K; 40=4000K; 50=5000K; 57=5700K; 60=6000K; 65=6500K
⑥	Beam Angle	D40=40 degrees; D60 or T2=60 degrees; D90 or T3=60 degrees; D120 or T5=120 degrees
⑦	Glass Type	CF=Clear flat glass
⑧	Type of installation	P90=Pole Mounting(90°) P25=Pole Mounting(25°) J=Jib Mounting U=U-bracket Mounting
⑨	Driver Box	A=Driver Cover A B=Driver Cover B C=Driver Cover C
⑩	Backup Power Source	"N"=No Backup Power "E"=With Backup Power
⑪	LED Types	1=5050 LED;2=2835 LED
⑫	Input Voltage	L=100-277V or 200-277V
⑬	Internal Code	N or T